

**PROPRIETARY  
PROPOSAL**

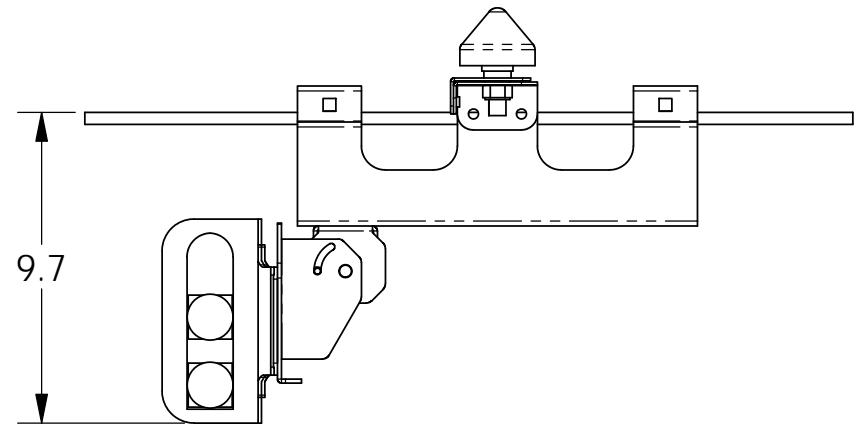
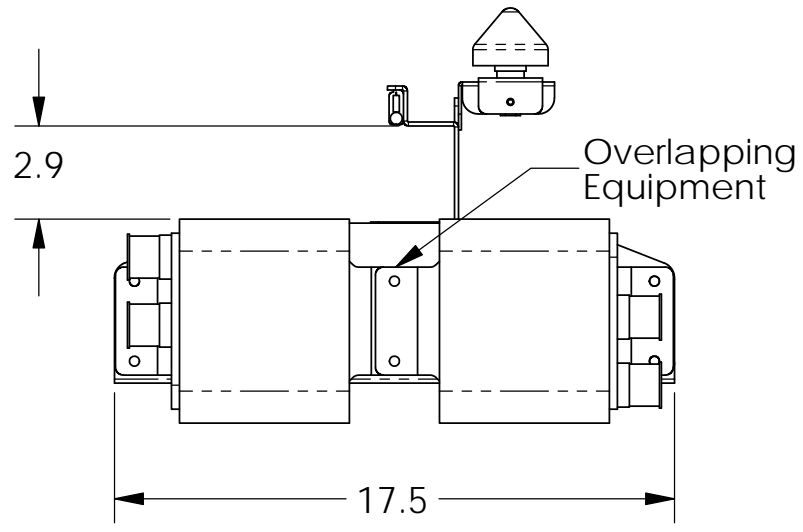
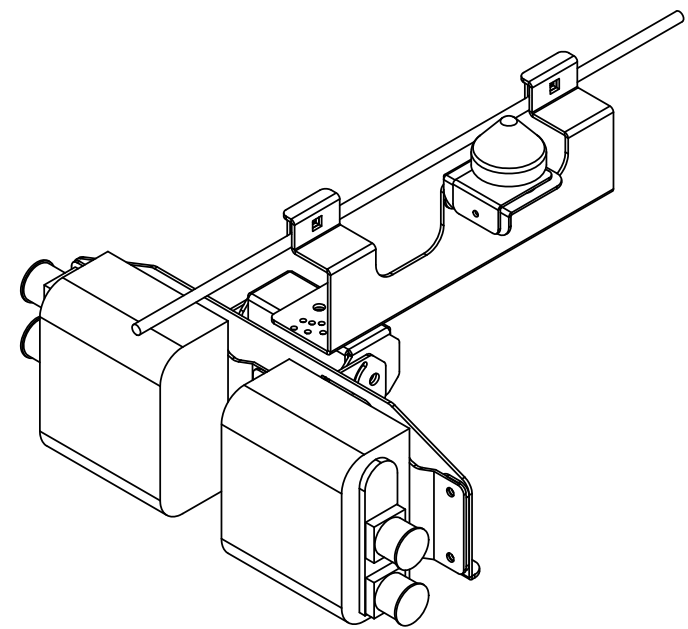
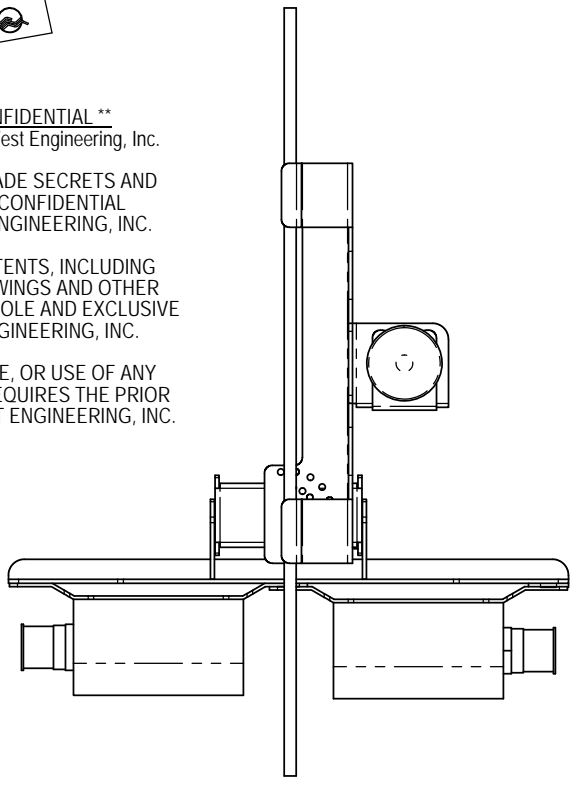
NAME: XPol Antenna Assy  
DWG: Strand Mount Package  
MDT 7/10/2018

**\*\* PROPRIETARY AND CONFIDENTIAL \*\***  
Copyright © 2018 & Present Sun West Engineering, Inc.

THIS PROPOSAL CONTAINS TRADE SECRETS AND  
OTHER PROPRIETARY AND CONFIDENTIAL  
INFORMATION OF SUN WEST ENGINEERING, INC.

THIS DOCUMENT AND ITS CONTENTS, INCLUDING  
WITHOUT LIMITATION THE DRAWINGS AND OTHER  
INFORMATION HEREIN, ARE THE SOLE AND EXCLUSIVE  
PROPERTY OF SUN WEST ENGINEERING, INC.

ANY DUPLICATION, DISCLOSURE, OR USE OF ANY  
PORTION OF THIS DOCUMENT REQUIRES THE PRIOR  
WRITTEN CONSENT OF SUN WEST ENGINEERING, INC.



**\*\* PROPRIETARY AND CONFIDENTIAL \*\***  
Copyright © 2018 & Present Sun West Engineering, Inc.

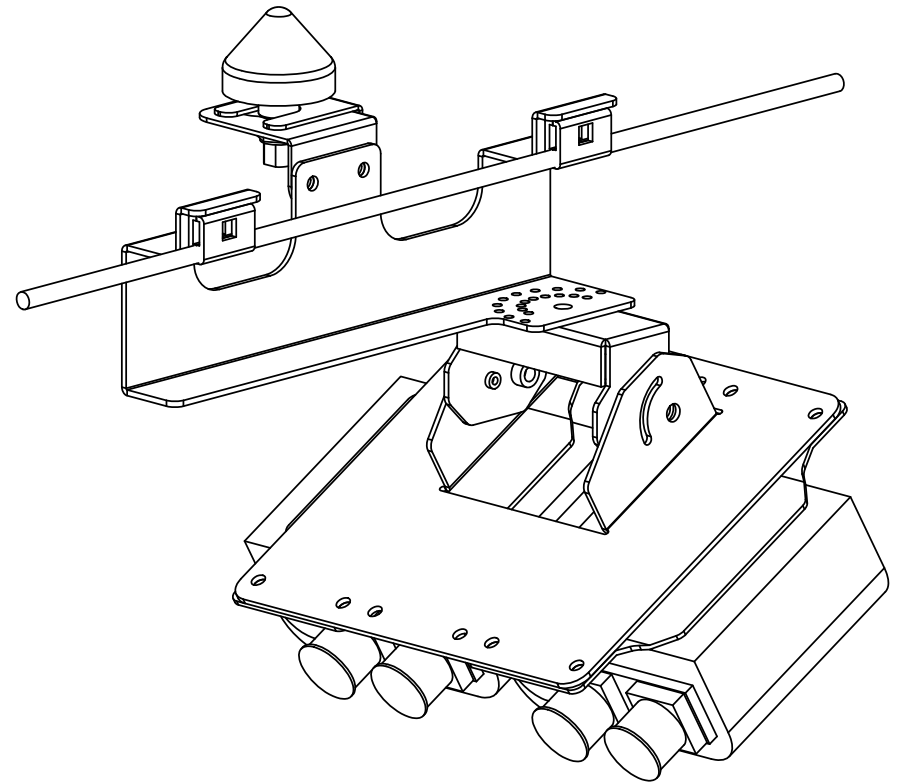
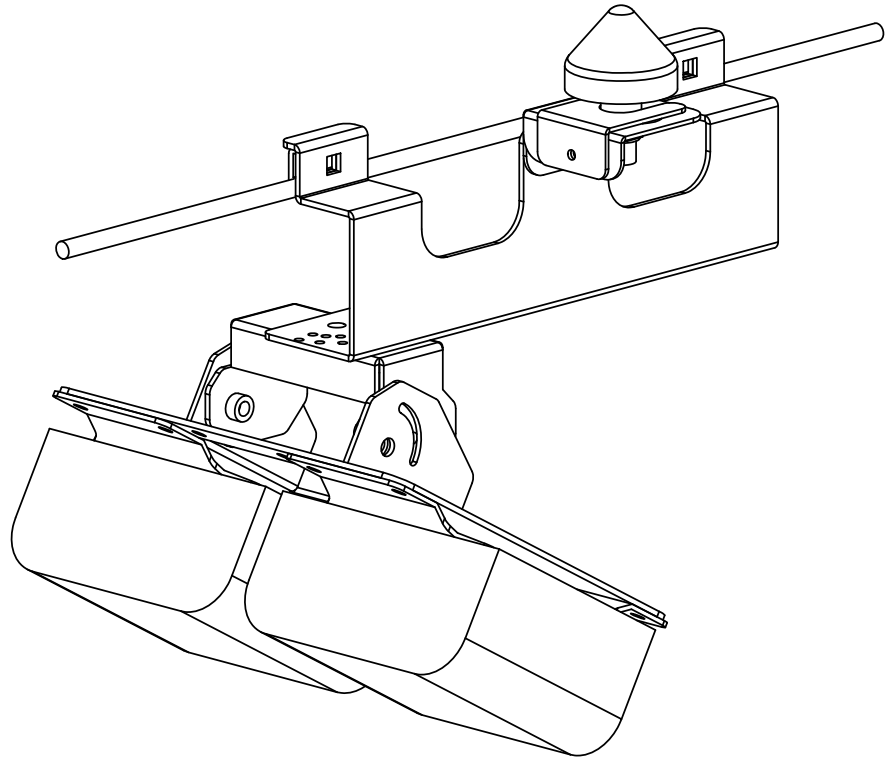
**PROPRIETARY  
PROPOSAL**

THIS PROPOSAL CONTAINS TRADE SECRETS AND  
OTHER PROPRIETARY AND CONFIDENTIAL  
INFORMATION OF SUN WEST ENGINEERING, INC.

THIS DOCUMENT AND ITS CONTENTS, INCLUDING  
WITHOUT LIMITATION THE DRAWINGS AND OTHER  
INFORMATION HEREIN, ARE THE SOLE AND EXCLUSIVE  
PROPERTY OF SUN WEST ENGINEERING, INC.

ANY DUPLICATION, DISCLOSURE, OR USE OF ANY  
PORTION OF THIS DOCUMENT REQUIRES THE PRIOR  
WRITTEN CONSENT OF SUN WEST ENGINEERING, INC.

NAME: XPol Antenna w GPS Assy  
DWG: Strand Mount Package  
MDT 7/10/2018



**\*\* PROPRIETARY AND CONFIDENTIAL \*\***  
Copyright © 2018 & Present Sun West Engineering, Inc.

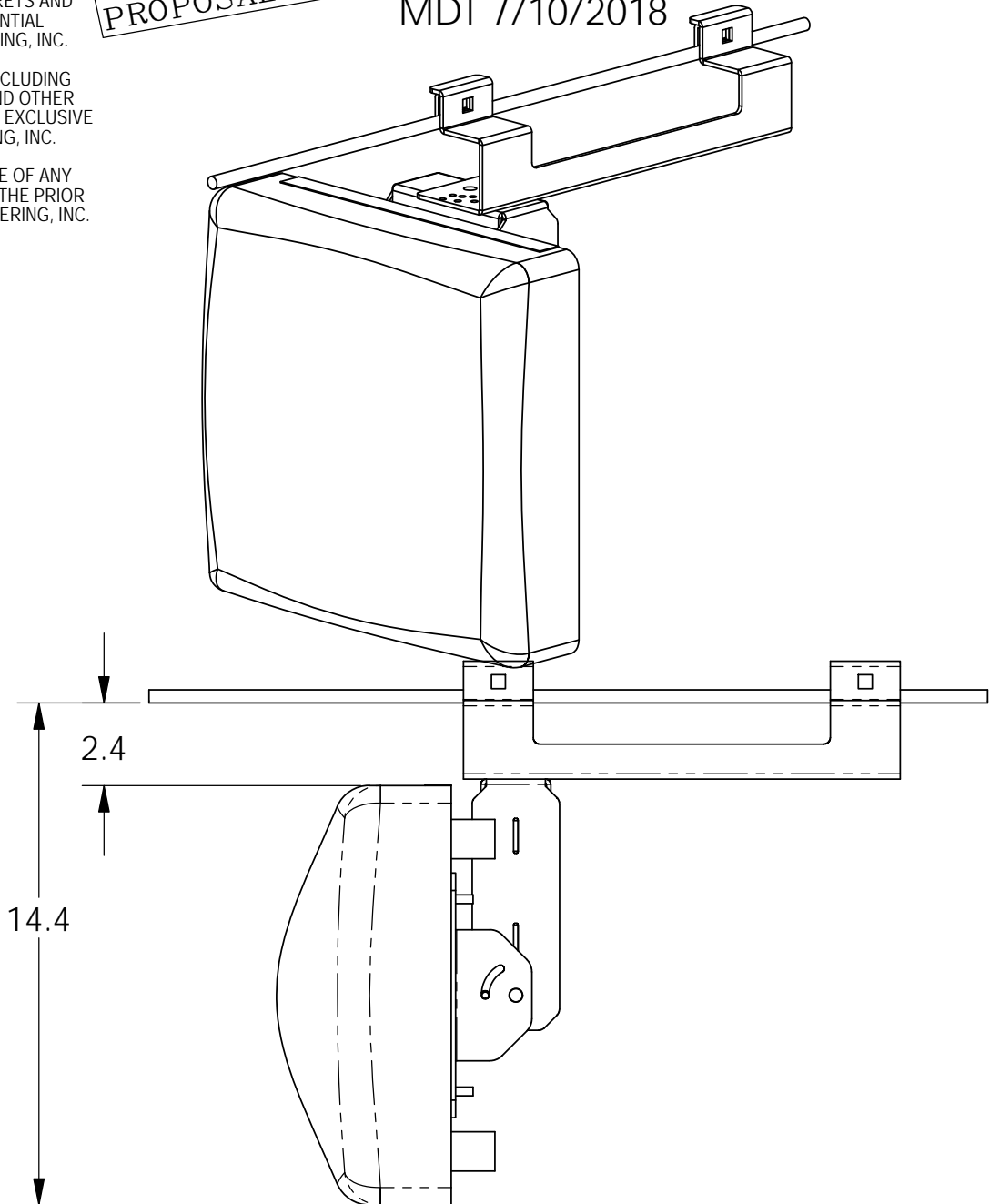
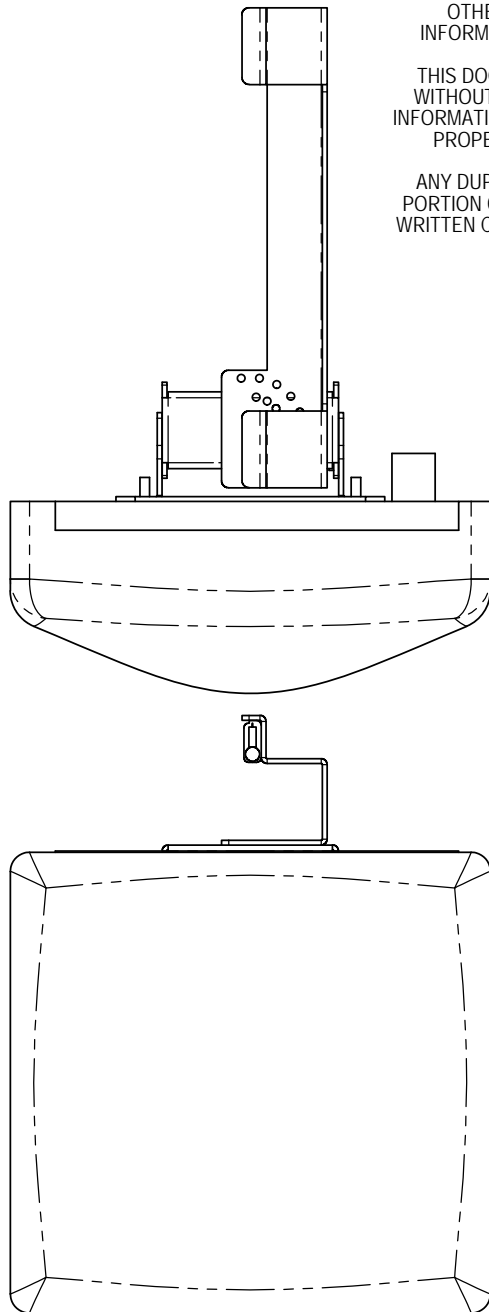
THIS PROPOSAL CONTAINS TRADE SECRETS AND  
OTHER PROPRIETARY AND CONFIDENTIAL  
INFORMATION OF SUN WEST ENGINEERING, INC.

THIS DOCUMENT AND ITS CONTENTS, INCLUDING  
WITHOUT LIMITATION THE DRAWINGS AND OTHER  
INFORMATION HEREIN, ARE THE SOLE AND EXCLUSIVE  
PROPERTY OF SUN WEST ENGINEERING, INC.

ANY DUPLICATION, DISCLOSURE, OR USE OF ANY  
PORTION OF THIS DOCUMENT REQUIRES THE PRIOR  
WRITTEN CONSENT OF SUN WEST ENGINEERING, INC.

**PROPRIETARY  
PROPOSAL**

NAME: CSS Antenna Assy - A  
DWG: Strand Mount Package  
MDT 7/10/2018



**\*\* PROPRIETARY AND CONFIDENTIAL \*\***

Copyright © 2018 & Present Sun West Engineering, Inc.

THIS PROPOSAL CONTAINS TRADE SECRETS AND OTHER PROPRIETARY AND CONFIDENTIAL INFORMATION OF SUN WEST ENGINEERING, INC.

**PROPRIETARY PROPOSAL**

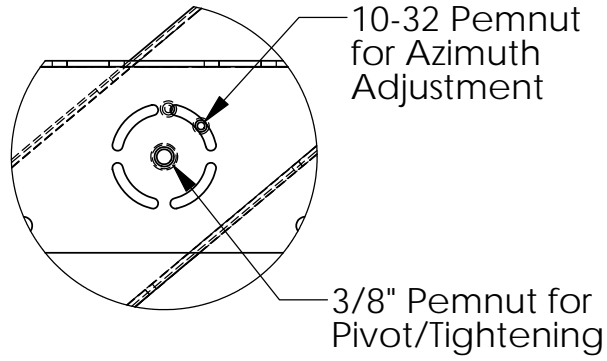
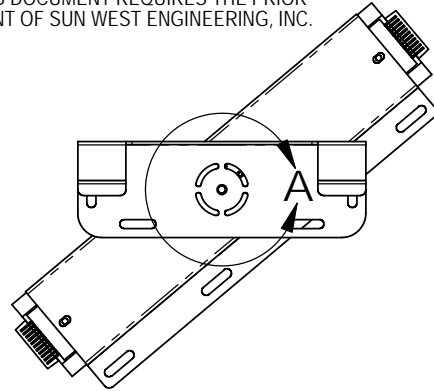
NAME: Micro Cell Ant. Bracket Assy

DWG: Strand Mount Package

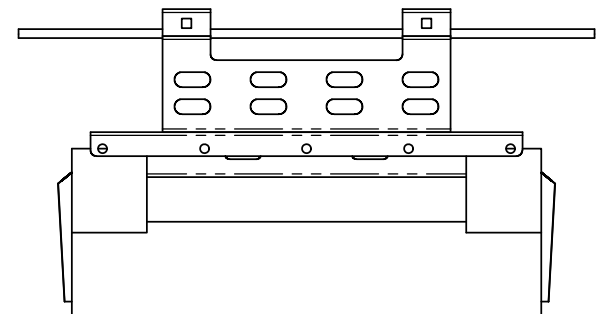
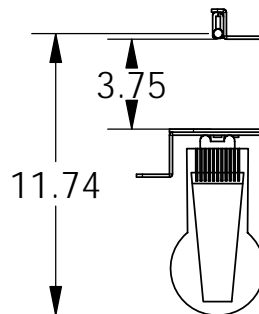
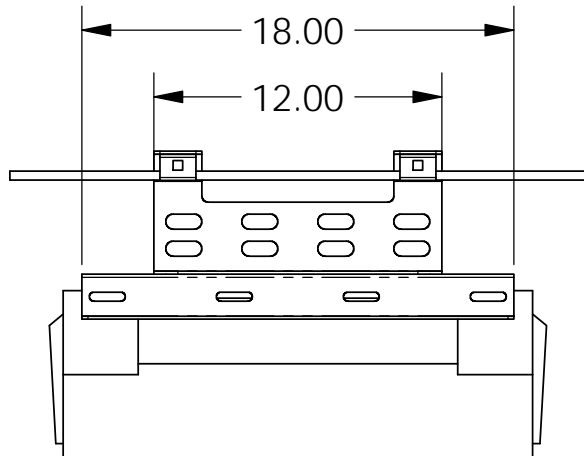
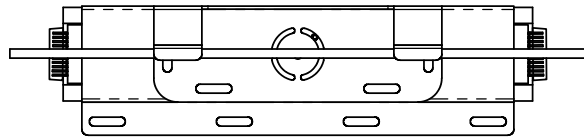
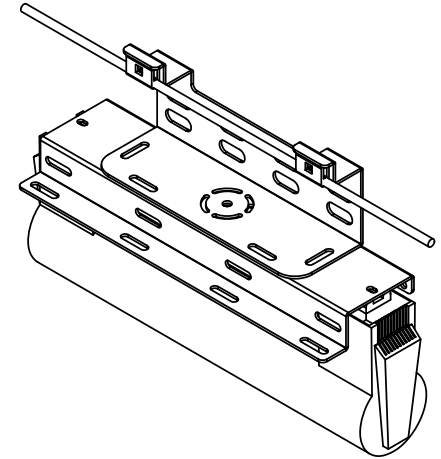
MDT 7/10/2018

THIS DOCUMENT AND ITS CONTENTS, INCLUDING WITHOUT LIMITATION THE DRAWINGS AND OTHER INFORMATION HEREIN, ARE THE SOLE AND EXCLUSIVE PROPERTY OF SUN WEST ENGINEERING, INC.

ANY DUPLICATION, DISCLOSURE, OR USE OF ANY PORTION OF THIS DOCUMENT REQUIRES THE PRIOR WRITTEN CONSENT OF SUN WEST ENGINEERING, INC.



DETAIL A  
SCALE 1 : 4



**\*\* PROPRIETARY AND CONFIDENTIAL \*\***

Copyright © 2018 & Present Sun West Engineering, Inc.

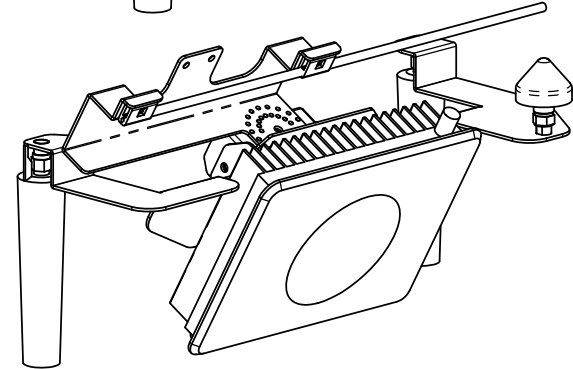
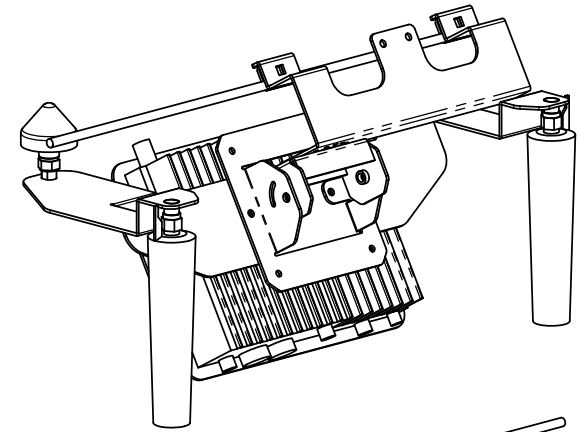
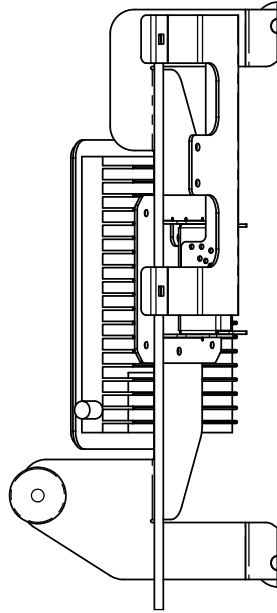
THIS PROPOSAL CONTAINS TRADE SECRETS AND OTHER PROPRIETARY AND CONFIDENTIAL INFORMATION OF SUN WEST ENGINEERING, INC.

**PROPRIETARY  
PROPOSAL**

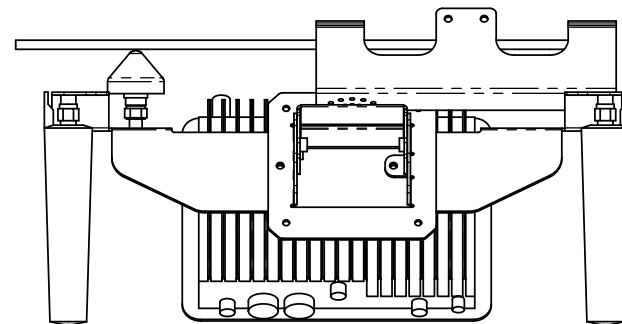
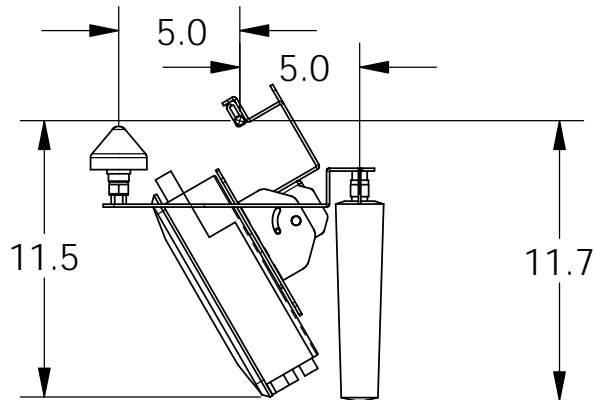
NAME: Nokia w eMIMO Bracket  
DWG: Strand Mount Package  
MDT 7/10/2018

THIS DOCUMENT AND ITS CONTENTS, INCLUDING WITHOUT LIMITATION THE DRAWINGS AND OTHER INFORMATION HEREIN, ARE THE SOLE AND EXCLUSIVE PROPERTY OF SUN WEST ENGINEERING, INC.

ANY DUPLICATION, DISCLOSURE, OR USE OF ANY PORTION OF THIS DOCUMENT REQUIRES THE PRIOR WRITTEN CONSENT OF SUN WEST ENGINEERING, INC.



Rear ISO View



**\*\* PROPRIETARY AND CONFIDENTIAL \*\***  
Copyright © 2018 & Present Sun West Engineering, Inc.

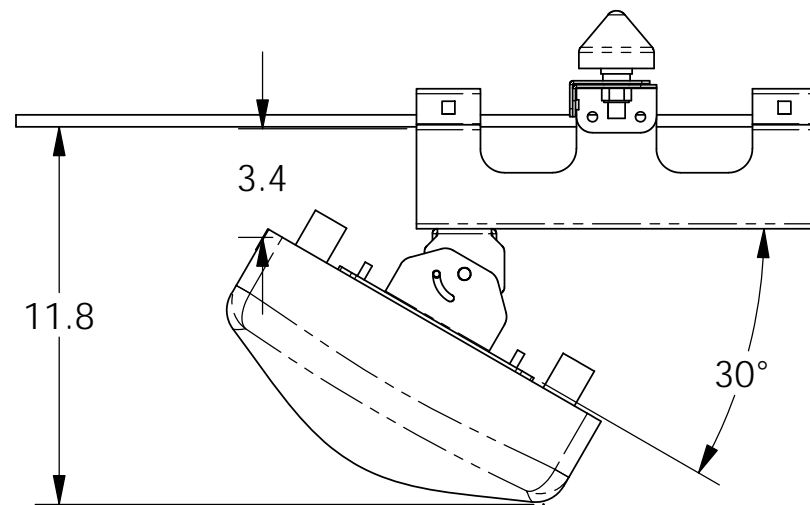
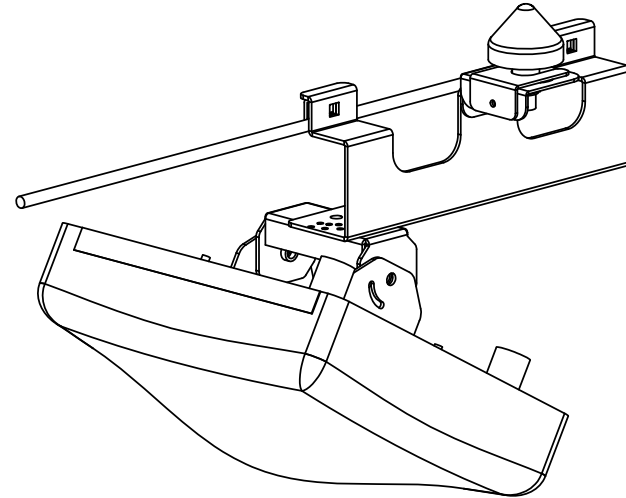
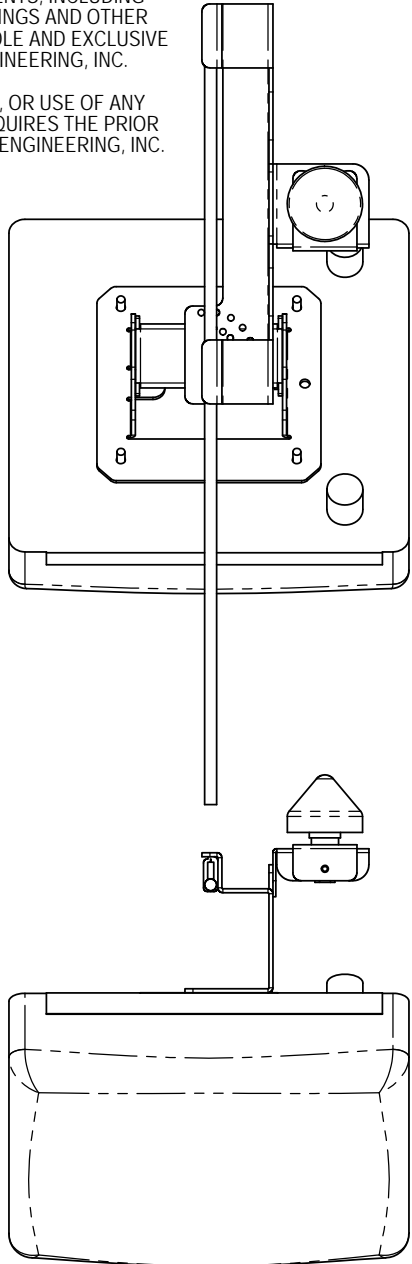
THIS PROPOSAL CONTAINS TRADE SECRETS AND  
OTHER PROPRIETARY AND CONFIDENTIAL  
INFORMATION OF SUN WEST ENGINEERING, INC.

THIS DOCUMENT AND ITS CONTENTS, INCLUDING  
WITHOUT LIMITATION THE DRAWINGS AND OTHER  
INFORMATION HEREIN, ARE THE SOLE AND EXCLUSIVE  
PROPERTY OF SUN WEST ENGINEERING, INC.

ANY DUPLICATION, DISCLOSURE, OR USE OF ANY  
PORTION OF THIS DOCUMENT REQUIRES THE PRIOR  
WRITTEN CONSENT OF SUN WEST ENGINEERING, INC.

**PROPRIETARY  
PROPOSAL**

NAME: CSS Antenna w GPS Assy  
DWG: Strand Mount Package  
MDT 7/10/2018



**\*\* PROPRIETARY AND CONFIDENTIAL \*\***  
Copyright © 2018 & Present Sun West Engineering, Inc.

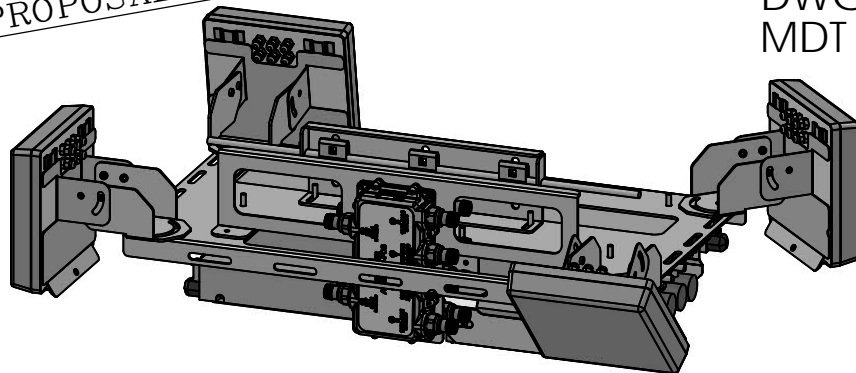
THIS PROPOSAL CONTAINS TRADE SECRETS AND OTHER PROPRIETARY AND CONFIDENTIAL INFORMATION OF SUN WEST ENGINEERING, INC.

THIS DOCUMENT AND ITS CONTENTS, INCLUDING WITHOUT LIMITATION THE DRAWINGS AND OTHER INFORMATION HEREIN, ARE THE SOLE AND EXCLUSIVE PROPERTY OF SUN WEST ENGINEERING, INC.

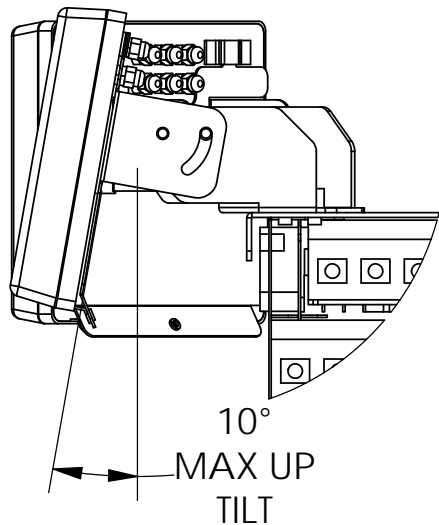
ANY DUPLICATION, DISCLOSURE, OR USE OF ANY PORTION OF THIS DOCUMENT REQUIRES THE PRIOR WRITTEN CONSENT OF SUN WEST ENGINEERING, INC.

**PROPRIETARY PROPOSAL**

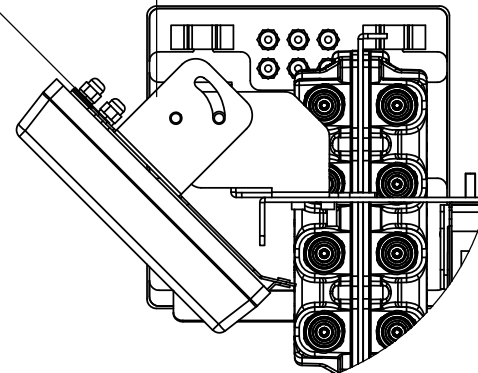
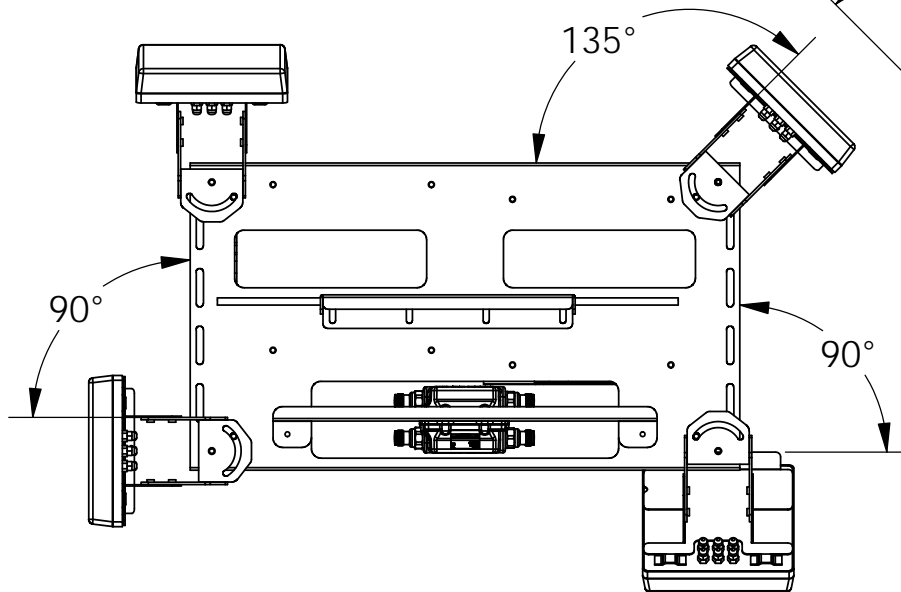
NAME: Strand Mount Assy  
DWG: Strand Mount Package  
MDT 7/10/2018



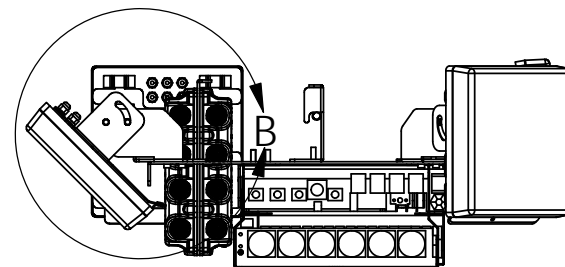
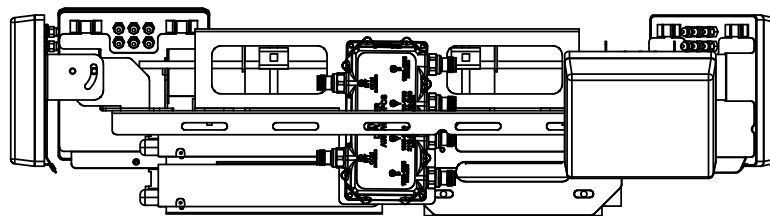
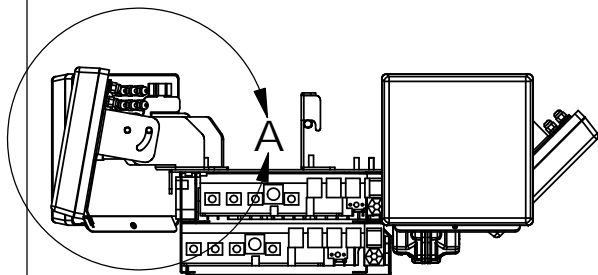
DETAIL A  
SCALE 1 : 5



45°  
MAX DOWN  
TILT



DETAIL B  
SCALE 1 : 5



**\*\* PROPRIETARY AND CONFIDENTIAL \*\***  
Copyright © 2018 & Present Sun West Engineering, Inc.

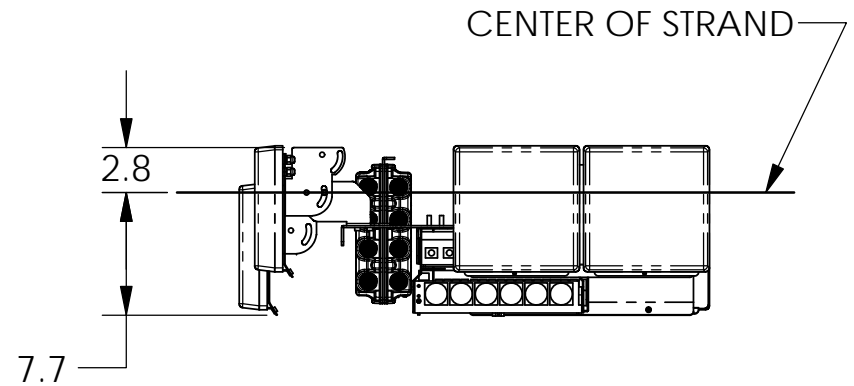
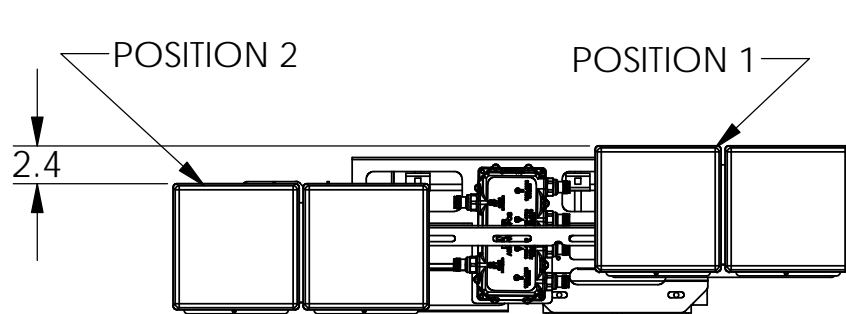
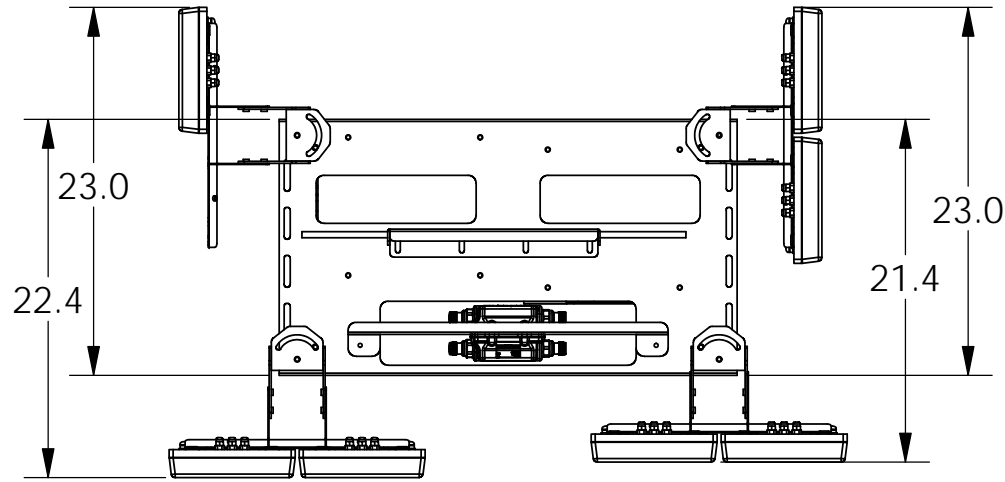
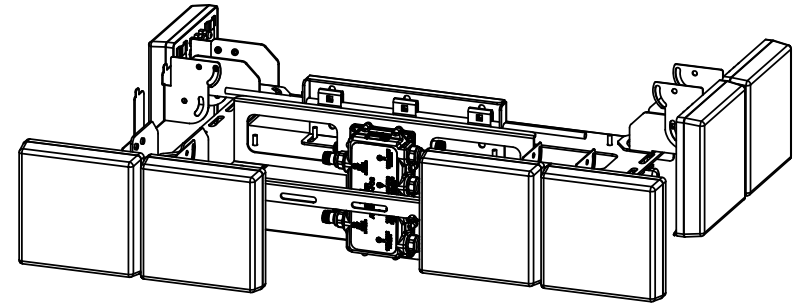
**PROPRIETARY  
PROPOSAL**

THIS PROPOSAL CONTAINS TRADE SECRETS AND  
OTHER PROPRIETARY AND CONFIDENTIAL  
INFORMATION OF SUN WEST ENGINEERING, INC.

THIS DOCUMENT AND ITS CONTENTS, INCLUDING  
WITHOUT LIMITATION THE DRAWINGS AND OTHER  
INFORMATION HEREIN, ARE THE SOLE AND EXCLUSIVE  
PROPERTY OF SUN WEST ENGINEERING, INC.

ANY DUPLICATION, DISCLOSURE, OR USE OF ANY  
PORTION OF THIS DOCUMENT REQUIRES THE PRIOR  
WRITTEN CONSENT OF SUN WEST ENGINEERING, INC.

NAME: Strand Mount Assy  
DWG: Strand Mount Package  
MDT 7/10/2018





NAME: SAR-W Wire Mount Assy  
DWG: Strand Mount Package  
MDT 7/10/2018

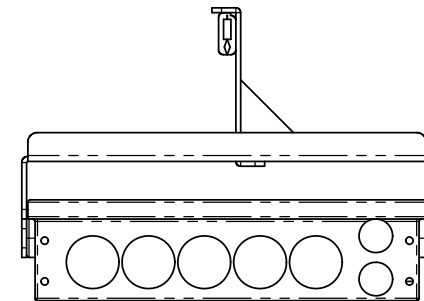
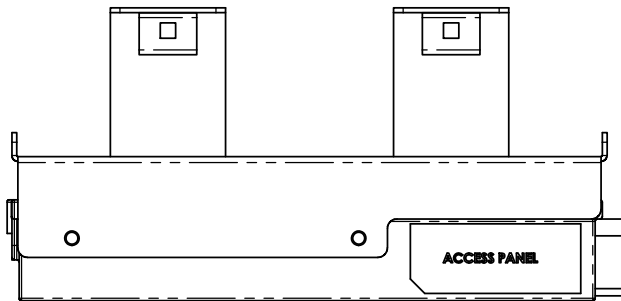
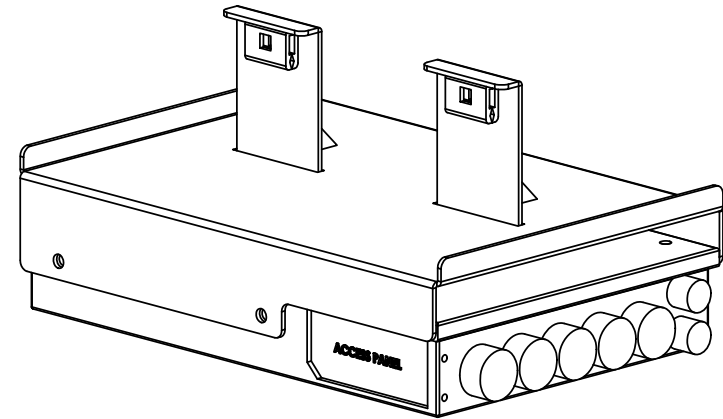
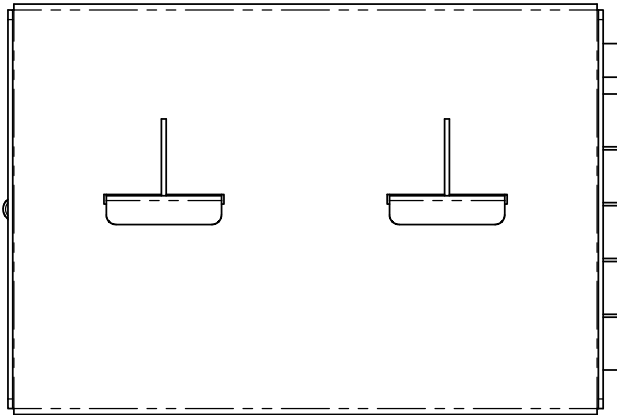
**\*\* PROPRIETARY AND CONFIDENTIAL \*\***  
Copyright © 2018 & Present Sun West Engineering, Inc.

**PROPRIETARY  
PROPOSAL**

THIS PROPOSAL CONTAINS TRADE SECRETS AND  
OTHER PROPRIETARY AND CONFIDENTIAL  
INFORMATION OF SUN WEST ENGINEERING, INC.

THIS DOCUMENT AND ITS CONTENTS, INCLUDING  
WITHOUT LIMITATION THE DRAWINGS AND OTHER  
INFORMATION HEREIN, ARE THE SOLE AND EXCLUSIVE  
PROPERTY OF SUN WEST ENGINEERING, INC.

ANY DUPLICATION, DISCLOSURE, OR USE OF ANY  
PORTION OF THIS DOCUMENT REQUIRES THE PRIOR  
WRITTEN CONSENT OF SUN WEST ENGINEERING, INC.



**\*\* PROPRIETARY AND CONFIDENTIAL \*\***

Copyright © 2018 & Present Sun West Engineering, Inc.

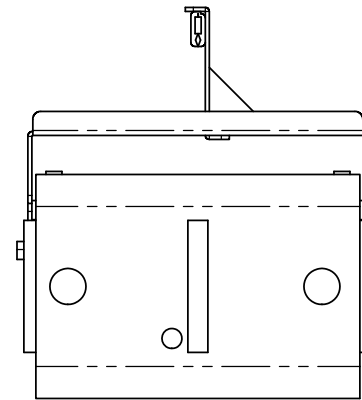
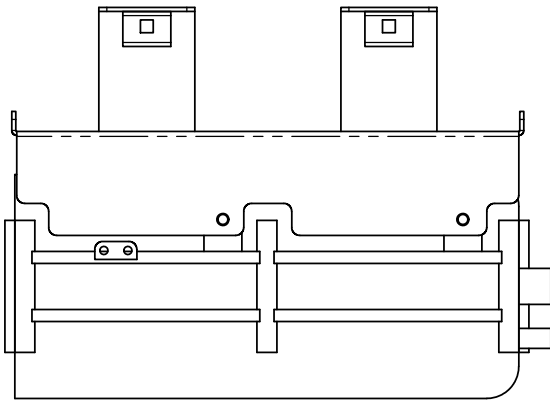
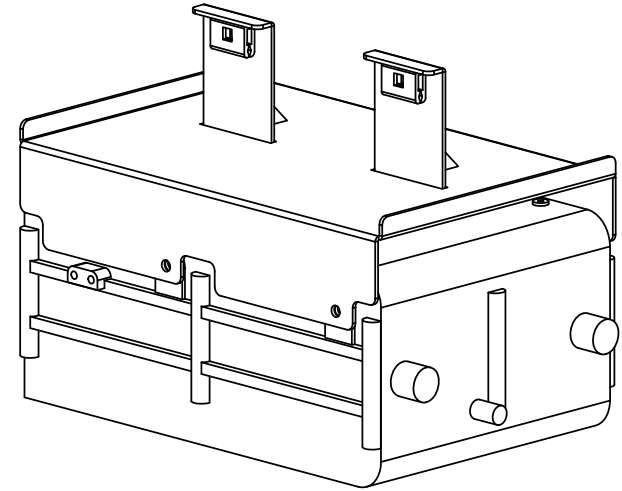
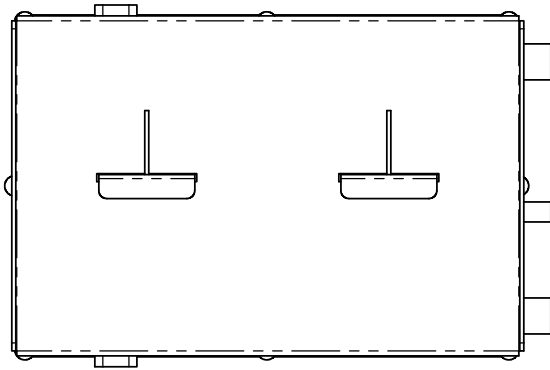
THIS PROPOSAL CONTAINS TRADE SECRETS AND OTHER PROPRIETARY AND CONFIDENTIAL INFORMATION OF SUN WEST ENGINEERING, INC.

**PROPRIETARY  
PROPOSAL**

THIS DOCUMENT AND ITS CONTENTS, INCLUDING WITHOUT LIMITATION THE DRAWINGS AND OTHER INFORMATION HEREIN, ARE THE SOLE AND EXCLUSIVE PROPERTY OF SUN WEST ENGINEERING, INC.

ANY DUPLICATION, DISCLOSURE, OR USE OF ANY PORTION OF THIS DOCUMENT REQUIRES THE PRIOR WRITTEN CONSENT OF SUN WEST ENGINEERING, INC.

NAME: MCO Wire Mount Assy  
DWG: Strand Mount Package  
MDT 7/10/2018



**\*\* PROPRIETARY AND CONFIDENTIAL \*\***

Copyright © 2018 & Present Sun West Engineering, Inc.

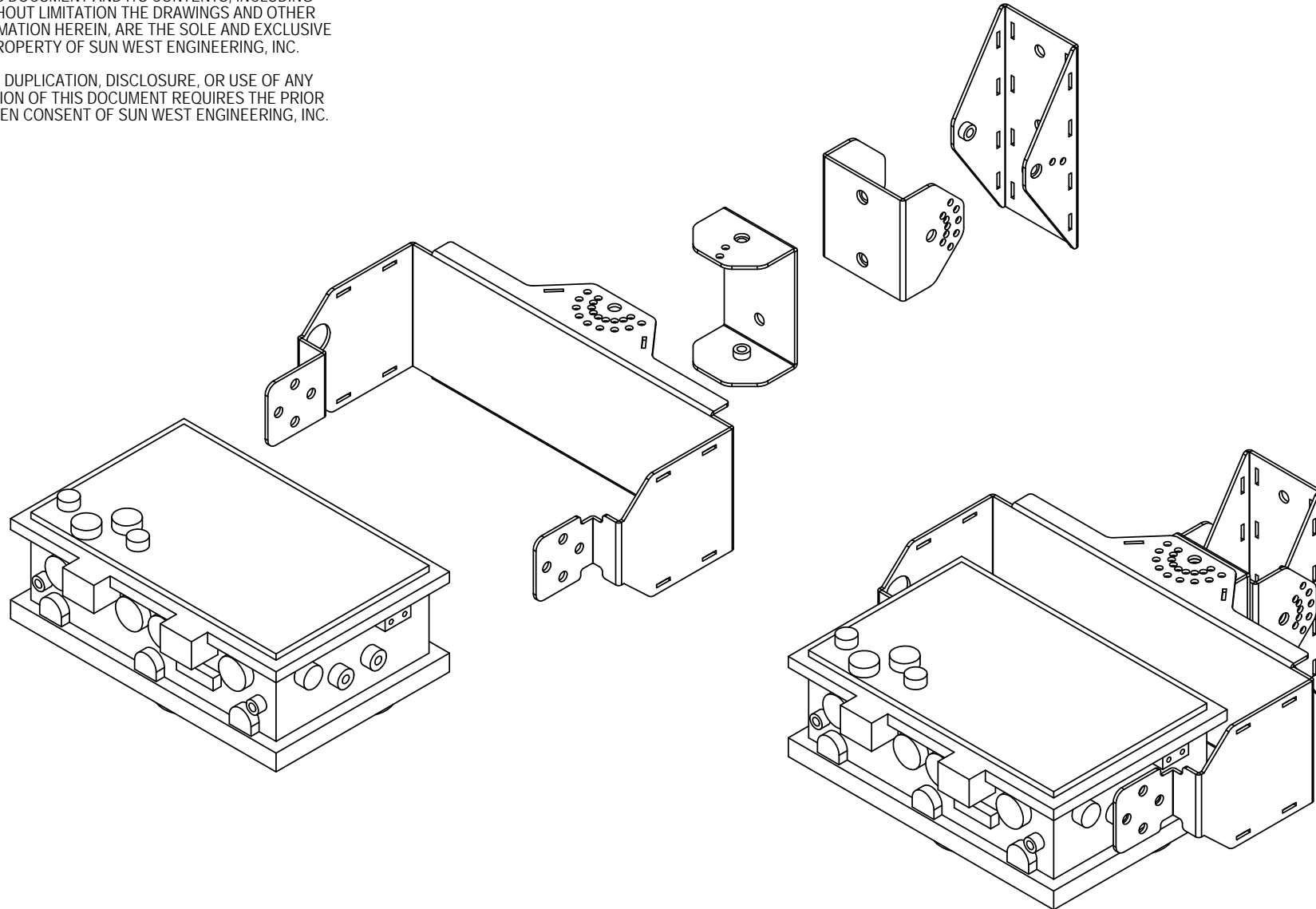
THIS PROPOSAL CONTAINS TRADE SECRETS AND OTHER PROPRIETARY AND CONFIDENTIAL INFORMATION OF SUN WEST ENGINEERING, INC.

**PROPRIETARY  
PROPOSAL**

NAME: Cisco Pivot Assy  
DWG: Strand Mount Package  
MDT 7/10/2018

THIS DOCUMENT AND ITS CONTENTS, INCLUDING WITHOUT LIMITATION THE DRAWINGS AND OTHER INFORMATION HEREIN, ARE THE SOLE AND EXCLUSIVE PROPERTY OF SUN WEST ENGINEERING, INC.

ANY DUPLICATION, DISCLOSURE, OR USE OF ANY PORTION OF THIS DOCUMENT REQUIRES THE PRIOR WRITTEN CONSENT OF SUN WEST ENGINEERING, INC.



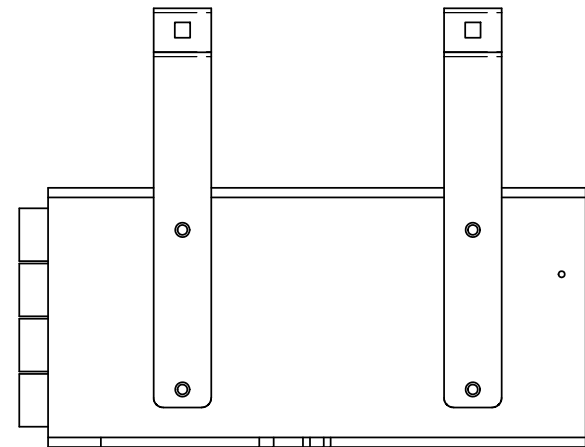
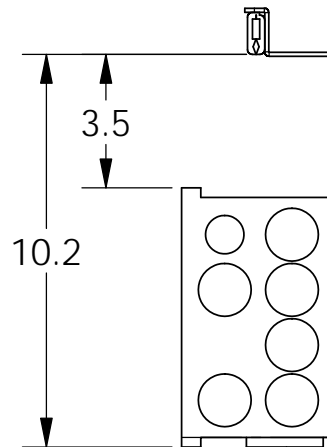
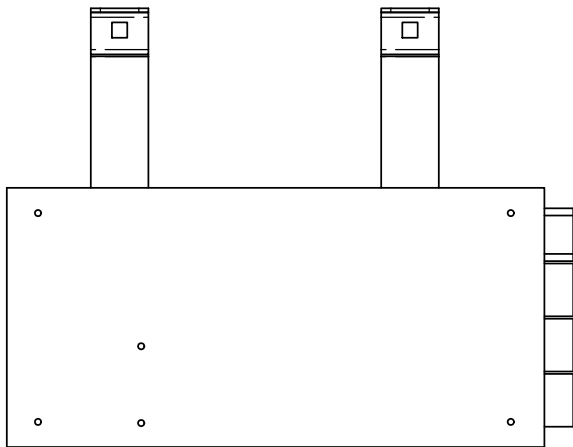
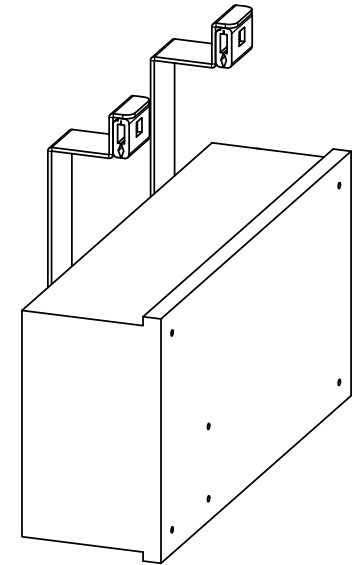
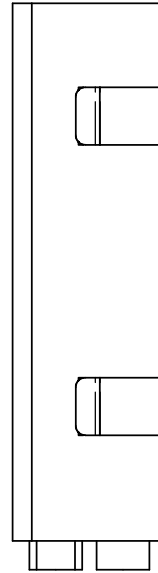
**\*\* PROPRIETARY AND CONFIDENTIAL \*\***  
Copyright © 2018 & Present Sun West Engineering, Inc.

**PROPRIETARY  
PROPOSAL**

THIS PROPOSAL CONTAINS TRADE SECRETS AND  
OTHER PROPRIETARY AND CONFIDENTIAL  
INFORMATION OF SUN WEST ENGINEERING, INC.

THIS DOCUMENT AND ITS CONTENTS, INCLUDING  
WITHOUT LIMITATION THE DRAWINGS AND OTHER  
INFORMATION HEREIN, ARE THE SOLE AND EXCLUSIVE  
PROPERTY OF SUN WEST ENGINEERING, INC.

ANY DUPLICATION, DISCLOSURE, OR USE OF ANY  
PORTION OF THIS DOCUMENT REQUIRES THE PRIOR  
WRITTEN CONSENT OF SUN WEST ENGINEERING, INC.



Card Slot Facing Down

Bracket Combined Weight (No Equip.): 1.2 lbs